



Applications

- Uninterruptible Power Supply (UPS)
- Electric Power System (EPS)
- Emergency Light
- Emergency backup power supply
- Railway signal system
- Marine and power stations
- Aircraft signal system
- Alarm and security system
- Electronic apparatus and equipment
- DC power supply
- Communication power supply
- Network communication

Battery Construction

COMPONENT	POSITIVE PLATE	NEGATIVE PLATE	CONTAINER	COVER	SAFETY VALVE	TERMINAL	SEPARATOR	ELECTROLYTE
Raw material	Lead dioxide	Lead	ABS	ABS	Rubber	Copper/Plug	Fiberglass	Sulfuric acid

Performance Characteristics

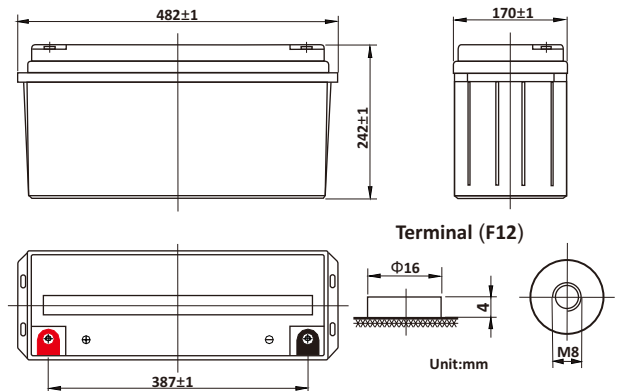
- **Nominal Voltage** 12V
- **Number of Cell** 6
- **Nominal Capacity (77°F /25°C)**
 - 20 Hour rate (7.6A, 10.8V) 152Ah
 - 10 Hour rate (15A,10.8V) 150Ah
 - 5 Hour rate (25.6A,10.5V) 128Ah
 - 1 Hour rate (97A, 9.6V) 97Ah
- **Internal Resistance**
 - Fully charged battery (77°F /25°C) 4mΩ
- **Capacity affected by temperature (10 hour rate)**
 - 104°F (40°C) 102% 32°F (10°C) 85%
 - 77°F (25°C) 100% 5°F (-15°C) 65%
- **Self-Discharge 68°F (20°C)**
 - Capacity after 3 month storage 90%
 - Capacity after 6 month storage 80%
 - Capacity after 12 month storage 60%
- **Max. discharge current 77°F /25°C** 1000A(5S)
- **Charge Methods: constant voltage charge 77°F /25°C**
 - Cycle use 14.4 ~ 14.7V
 - Max. Current 37.5A
 - Standby use 13.6 ~ 13.8V

General Features

- **Oxygen recombination technology means the battery is maintenance free and no water adding required.**
- **Not restricted for air transportation as Nollon Battery complies with IATA/ICAO special provision A67.**
- **Raw material used in Nollon battery is of CE and UL (MH49077) standards.**
- **Computer designed lead-calcium tin plate grid alloy provides high power density and less gassing.**
- **ABS case (optional for Fire Retardant case).**
- **Sealed valve regulated thus allowing installation horizontally or vertically.**
- **Spill/leak proof and vibration resistant.**
- **Long service life for float or cyclic applications.**
- **Design life 10 years**

Dimensions and Weight

Type	Length	Width	Height	Total Height	Approx. Weight
SI Units	482mm	170mm	242mm	242mm	42Kg
English Units	19.0inch	6.69inch	9.53inch	9.53inch	92.6lbs



Constant Current Discharge (Amperes at 77°F/25°C)

V/cell	10min	15min	30min	1h	3h	5h	10h	20h
1.60	330.0	275.0	166.0	97.0	41.5	27.6	15.4	8.0
1.65	315.0	264.0	159.5	93.3	40.2	27.0	15.3	7.9
1.70	299.0	252.0	152.5	89.8	38.8	26.3	15.2	7.8
1.75	282.0	239.0	145.0	85.6	37.3	25.6	15.1	7.7
1.80	263.0	225.0	137.0	81.6	35.7	24.8	15.0	7.6

Constant Power Discharge (Watts/cell at 77°F/25°C)

V/cell	10min	15min	30min	1h	3h	5h	10h	12h
1.60	550.0	480.0	306.0	188.0	82.5	55.0	30.5	25.4
1.65	530.0	465.0	298.0	183.7	80.4	53.9	30.2	25.2
1.70	507.0	448.0	289.0	179.2	78.2	52.7	29.8	24.9
1.75	482.0	429.0	279.0	174.6	75.9	51.4	29.3	24.5
1.80	454.0	408.0	267.0	169.8	73.4	50.0	28.7	24.0

(Note: The above characteristics data are average values obtained within three charge/discharge cycles not the minimum values.)

