



Applications

- Telecommunication central station (wired or cellular)
- Power system communication, military communication, etc.
- Network communication including: data transmission, television signal transmission, etc.
- Uninterruptible Power Supply (UPS for Telecom)
- Emergency Power Supply (EPS)

Battery Construction

COMPONENT	POSITIVE PLATE	NEGATIVE PLATE	CONTAINER	COVER	SAFETY VALVE	TERMINAL	SEPARATOR	ELECTROLYTE
Raw material	Lead dioxide	Lead	ABS	ABS	Rubber	Copper/Plug	Fiberglass	Sulfuric acid

Performance Characteristics

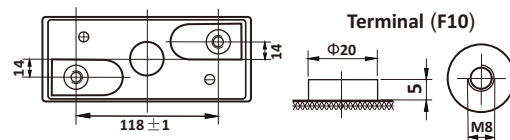
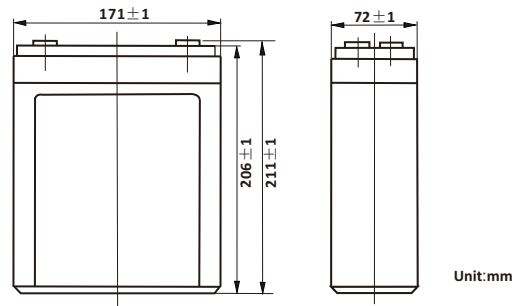
- **Nominal Voltage** 2V
- **Number of Cell** 1
- **Nominal Capacity (77°F /25°C)**
 - 10 Hour rate (10A, 1.8V) 100Ah
 - 5 Hour rate (17.6A, 1.75V) 88Ah
 - 3 Hour rate (25.8A, 1.70V) 77.4Ah
 - 1 Hour rate (65A, 1.60V) 65Ah
- **Internal Resistance**
 - Fully charged battery (77°F /25°C) 1mΩ
- **Capacity affected by temperature (20 hour rate)**
 - 104°F (40°C) 102% 32°F (10°C) 85%
 - 77°F (25°C) 100% 5°F (-15°C) 65%
- **Self-Discharge 68°F (20°C)**
 - Capacity after 3 month storage 90%
 - Capacity after 6 month storage 80%
 - Capacity after 12 month storage 60%
- **Max. discharge current 77°F /25°C** 500A(5S)
- **Charge Methods: constant voltage charge 77°F /25°C**
 - Cycle use 2.35 ~ 2.45V
 - Max. Current 20A
 - Standby use 2.25 ~ 2.30V

General Features

- **Oxygen recombination technology means the battery is maintenance free and no water adding required.**
- **Not restricted for air transportation as Nollon Battery complies with IATA/ICAO special provision A67.**
- **Raw material used in Nollon battery is of CE and UL (MH49077) standards.**
- **Computer designed lead-calcium tin plate grid alloy provides high power density and less gassing.**
- **ABS case (optional for Fire Retardant case).**
- **Sealed valve regulated thus allowing installation horizontally or vertically.**
- **Spill/leak proof and vibration resistant.**
- **Long service life for float or cyclic applications.**
- **Design life 15 years**

Dimensions and Weight

Type	Length	Width	Height	Total Height	Approx. Weight
SI Units	171mm	72mm	206mm	211mm	6.0Kg
English Units	6.73inch	2.83inch	8.11inch	8.31inch	13.2lbs



Constant Current Discharge (Amperes at 77°F/25°C)

V/cell	10min	15min	30min	45min	1h	3h	5h	10h
1.60	196	146	98.0	81.0	65.0	27.5	19.3	10.8
1.65	186	140	94.0	78.0	62.5	26.5	18.8	10.6
1.70	175	132	90.0	74.0	60.0	25.8	18.2	10.4
1.75	164	125	85.0	71.0	57.0	24.7	17.6	10.2
1.80	152	118	80.5	67.0	54.0	23.6	17.1	10.0

Constant Power Discharge (Watts/cell at 77°F/25°C)

V/cell	10min	15min	30min	45min	1h	2h	3h	5h
1.60	285	256	197	147	122	73.0	53.5	39.3
1.65	269	242	187	140	117	71.0	52.2	38.6
1.70	251	228	177	133	112	69.0	50.8	37.8
1.75	233	213	165	126	105	66.0	49.2	37.0
1.80	218	200	156	119	100	63.0	47.6	36.1

(Note: The above characteristics data are average values obtained within three charge/discharge cycles not the minimum values.)

