



**NPL 2200 (2V 200AH)**

**Applications**

- Telecommunication central station (wired or cellular)
- Power system communication, military communication, etc.
- Network communication including: data transmission, television signal transmission, etc.
- Uninterruptible Power Supply (UPS for Telecom)
- Emergency Power Supply (EPS)

**Battery Construction**

COMPONENT	POSITIVE PLATE	NEGATIVE PLATE	CONTAINER	COVER	SAFETY VALVE	TERMINAL	SEPARATOR	ELECTROLYTE
Raw material	Lead dioxide	Lead	ABS	ABS	Rubber	Copper/Plug	Fiberglass	Sulfuric acid

**Performance Characteristics**

- **Nominal Voltage** ..... 2V
- **Number of Cell** ..... 1
- **Nominal Capacity (77°F /25°C)**
  - 10 Hour rate (20A, 1.8V) ..... 200Ah
  - 5 Hour rate (36A, 1.75V) ..... 168Ah
  - 3 Hour rate (53A, 1.70V) ..... 159Ah
  - 1 Hour rate (125A, 1.60V) ..... 125Ah
- **Internal Resistance**  
Fully charged battery (77°F /25°C) ..... 0.75mΩ
- **Capacity affected by temperature (20 hour rate)**
  - 104°F (40°C) ..... 102%    32°F (10°C) ..... 85%
  - 77°F (25°C) ..... 100%    5°F (-15°C) ..... 65%
- **Self-Discharge 68°F (20°C)**
  - Capacity after 3 month storage ..... 90%
  - Capacity after 6 month storage ..... 80%
  - Capacity after 12 month storage ..... 60%
- **Max. discharge current 77°F /25°C** ..... 1000A(5S)
- **Charge Methods: constant voltage charge 77°F /25°C**
  - Cycle use ..... 2.35 ~ 2.45V
  - Max. Current ..... 40A
  - Standby use ..... 2.25 ~ 2.30V

**Dimensions and Weight**

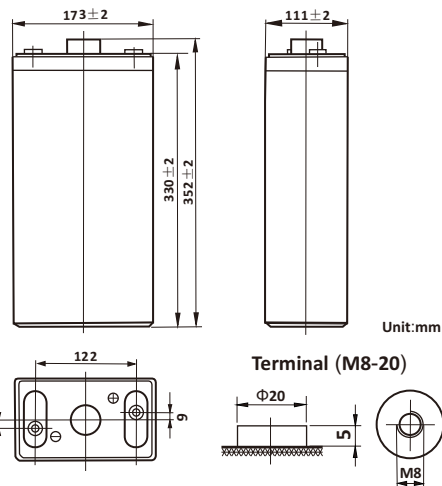
Type	Length	Width	Height	Total Height	Approx. Weight
<b>SI Units</b>	173mm	111mm	330mm	364mm	13.5Kg
<b>English Units</b>	6.81inch	4.37inch	13.0inch	14.3inch	29.8lbs

**Constant Current Discharge (Amperes at 77°F/25°C)**

V/cell	10min	15min	30min	45min	1h	3h	5h	10h
1.60	390	294	200	162	125	56.6	38.8	21.4
1.65	370	280	192	155	121	54.8	38.0	21.2
1.70	348	265	183	148	116	53.0	37.1	20.9
1.75	327	250	172	141	111	50.0	36.0	20.5
1.80	305	235	160	134	105	48.6	35.0	20.0

**General Features**

- **Oxygen recombination technology means the battery is maintenance free and no water adding required.**
- **Not restricted for air transportation as Nollon Battery complies with IATA/ICAO special provision A67.**
- **Raw material used in Nollon battery is of CE and UL (MH49077) standards.**
- **Computer designed lead-calcium tin plate grid alloy provides high power density and less gassing.**
- **ABS case (optional for Fire Retardant case).**
- **Sealed valve regulated thus allowing installation horizontally or vertically.**
- **Spill/leak proof and vibration resistant.**
- **Long service life for float or cyclic applications.**
- **Design life 15 years**



**Constant Power Discharge (Watts/cell at 77°F/25°C)**

V/cell	10min	15min	30min	45min	1h	2h	3h	5h
1.60	580	524	380	308	245	146	106	78.0
1.65	559	499	364	299	235	142	104	76.6
1.70	538	473	348	289	224	137	101	75.1
1.75	517	446	331	280	213	132	98.0	73.5
1.80	495	420	315	272	201	126	94.7	71.7

(Note: The above characteristics data are average values obtained within three charge/discharge cycles not the minimum values.)

