



Applications

- Telecommunication central station (wired or cellular)
- Power system communication, military communication, etc.
- Network communication including: data transmission, television signal transmission, etc.
- Uninterruptible Power Supply (UPS for Telecom)
- Emergency Power Supply (EPS)

Battery Construction

COMPONENT	POSITIVE PLATE	NEGATIVE PLATE	CONTAINER	COVER	SAFETY VALVE	TERMINAL	SEPARATOR	ELECTROLYTE
Raw material	Lead dioxide	Lead	ABS	ABS	Rubber	Copper/Plug	Fiberglass	Sulfuric acid

Performance Characteristics

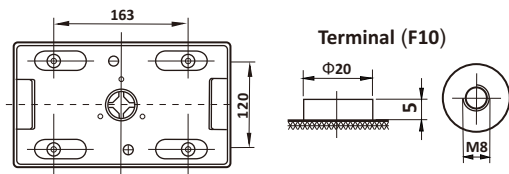
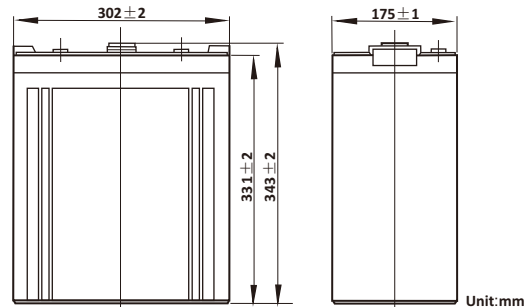
- **Nominal Voltage** 2V
- **Number of Cell** 1
- **Nominal Capacity (77°F /25°C)**
 - 10 Hour rate (60A, 1.80V) 600Ah
 - 5 Hour rate (106A, 1.75V) 530Ah
 - 3 Hour rate (170A, 1.70V) 510Ah
 - 1 Hour rate (364A, 1.60V) 364Ah
- **Internal Resistance**
 - Fully charged battery (77°F /25°C) 0.7mΩ
- **Capacity affected by temperature (20 hour rate)**
 - 104°F (40°C) 102% 32°F (10°C) 85%
 - 77°F (25°C) 100% 5°F (-15°C) 65%
- **Self-Discharge 68°F (20°C)**
 - Capacity after 3 month storage 90%
 - Capacity after 6 month storage 80%
 - Capacity after 12 month storage 60%
- **Max. discharge current 77°F /25°C** 2000A(5S)
- **Charge Methods: constant voltage charge 77°F /25°C**
 - Cycle use 2.35 ~ 2.45V
 - Max. Current 120A
 - Standby use 2.25 ~ 2.30V

General Features

- **Oxygen recombination technology means the battery is maintenance free and no water adding required.**
- **Not restricted for air transportation as Nollon Battery complies with IATA/ICAO special provision A67.**
- **Raw material used in Nollon battery is of CE and UL (MH49077) standards.**
- **Computer designed lead-calcium tin plate grid alloy provides high power density and less gassing.**
- **ABS case (optional for Fire Retardant case).**
- **Sealed valve regulated thus allowing installation horizontally or vertically.**
- **Spill/leak proof and vibration resistant.**
- **Long service life for float or cyclic applications.**
- **Design life 15 years**

Dimensions and Weight

Type	Length	Width	Height	Total Height	Approx. Weight
SI Units	302mm	175mm	330mm	367mm	37Kg
English Units	11.9inch	6.89inch	13.0inch	14.45inch	81.5lbs



Total height with removable cover: 367

Constant Current Discharge (Amperes at 77°F/25°C)

V/cell	10min	15min	30min	45min	1h	3h	5h	10h
1.60	1155	885	616	479	364	180	113	64
1.65	1095	841	588	460	351	175	111	63
1.70	1033	797	560	440	337	170	109	62
1.75	969	752	530	416	322	163	106	61
1.80	904	707	500	395	307	156	103	60

Constant Power Discharge (Watts/cell at 77°F/25°C)

V/cell	10min	15min	30min	45min	1h	2h	3h	5h
1.60	1911	1424	1123	905	710	483	358	225
1.65	1800	1374	1067	864	680	472	349	222
1.70	1688	1269	1009	820	649	460	340	218
1.75	1577	1191	951	776	617	446	330	214
1.80	1467	1112	892	731	583	418	309	211

(Note: The above characteristics data are average values obtained within three charge/discharge cycles not the minimum values.)

