



Applications

- Telecommunication central station (wired or cellular)
- Power system communication, military communication, etc.
- Network communication including: data transmission, television signal transmission, etc.
- Uninterruptible Power Supply (UPS for Telecom)
- Emergency Power Supply (EPS)

Battery Construction

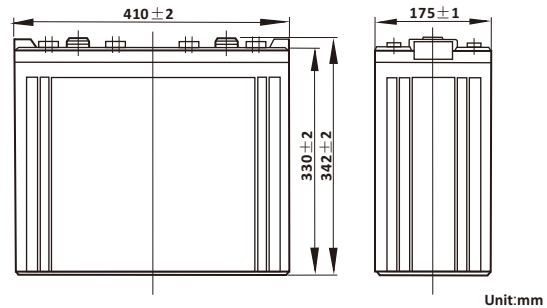
COMPONENT	POSITIVE PLATE	NEGATIVE PLATE	CONTAINER	COVER	SAFETY VALVE	TERMINAL	SEPARATOR	ELECTROLYTE
Raw material	Lead dioxide	Lead	ABS	ABS	Rubber	Copper/Plug	Fiberglass	Sulfuric acid

Performance Characteristics

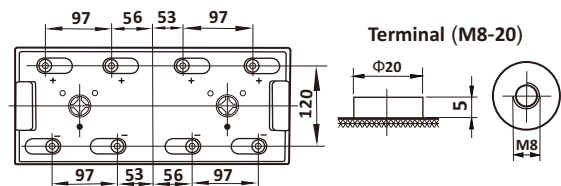
- **Nominal Voltage** 2V
- **Number of Cell** 1
- **Nominal Capacity (77°F /25°C)**
 - 10 Hour rate (80A, 1.8V) 800Ah
 - 5 Hour rate (142A, 1.75V) 710Ah
 - 3 Hour rate (205A, 1.70V) 615Ah
 - 1 Hour rate (495A, 1.60V) 495Ah
- **Internal Resistance**
 - Fully charged battery (77°F /25°C) 0.6mΩ
- **Capacity affected by temperature (20 hour rate)**
 - 104°F (40°C) 102% 32°F (10°C) 85%
 - 77°F (25°C) 100% 5°F (-15°C) 65%
- **Self-Discharge 68°F (20°C)**
 - Capacity after 3 month storage 90%
 - Capacity after 6 month storage 80%
 - Capacity after 12 month storage 60%
- **Max. discharge current 77°F /25°C** 2500A(5S)
- **Charge Methods: constant voltage charge 77°F /25°C**
 - Cycle use 2.35 ~ 2.45V
 - Max. Current 160A
 - Standby use 2.25 ~ 2.30V

General Features

- **Oxygen recombination technology means the battery is maintenance free and no water adding required.**
- **Not restricted for air transportation as Nollon Battery complies with IATA/ICAO special provision A67.**
- **Raw material used in Nollon battery is of CE and UL (MH49077) standards.**
- **Computer designed lead-calcium tin plate grid alloy provides high power density and less gassing.**
- **ABS case (optional for Fire Retardant case).**
- **Sealed valve regulated thus allowing installation horizontally or vertically.**
- **Spill/leak proof and vibration resistant.**
- **Long service life for float or cyclic applications.**
- **Design life 15 years**



Unit:mm



Dimensions and Weight

Type	Length	Width	Height	Total Height	Approx. Weight
SI Units	410mm	175mm	330mm	367mm	52Kg
English Units	16.14inch	6.89inch	13.0inch	14.45inch	114.6lbs

Constant Current Discharge (Amperes at 77°F/25°C)

V/cell	10min	15min	30min	45min	1h	3h	5h	10h
1.60	1570	1280	828	649	495	220	154	85.5
1.65	1489	1218	791	622	476	213	150	84.1
1.70	1404	1154	752	595	456	205	146	82.8
1.75	1317	1087	714	566	436	199	142	81.5
1.80	1228	1022	673	535	415	193	137	80.0

Constant Power Discharge (Watts/cell at 77°F/25°C)

V/cell	10min	15min	30min	45min	1h	2h	3h	5h
1.60	2394	1995	1497	1133	936	632	451	303
1.65	2255	1887	1422	1081	896	613	432	298
1.70	2115	1777	1364	1027	855	594	413	292
1.75	1975	1667	1267	971	812	575	394	286
1.80	1837	1557	1189	915	769	556	375	271

(Note: The above characteristics data are average values obtained within three charge/discharge cycles not the minimum values.)

